

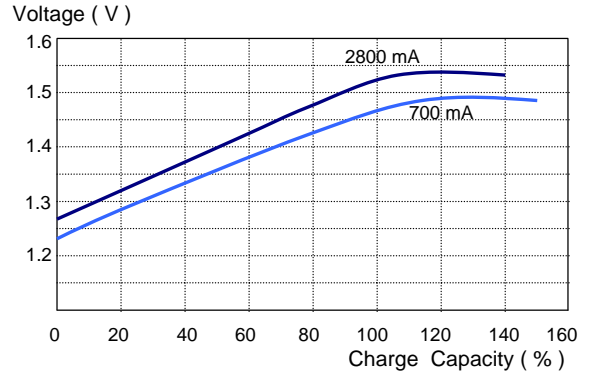
Data Sheet for T-F7000

Specifications

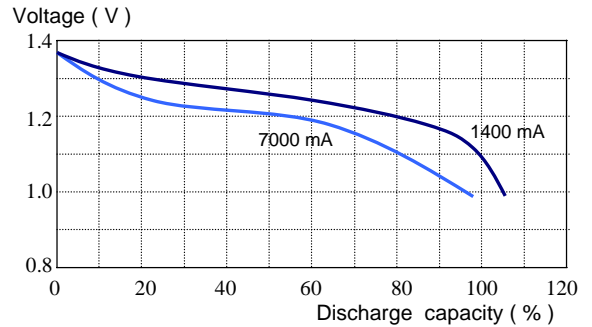
Type :	Rechargeable Nickel- Cadmium Standard Cell
Model (P/N) :	T-F7000
Nominal Dimension : (with sleeve)	$\Phi = 33.0_{-1.0}^0$ mm H = 90.5 ± 0.5 mm
Applications :	Recommended discharge current 700 to 7000 mA
Nominal Voltage :	1.2V
Nominal Capacity :	7000 mAh when discharge at 1400 mA to 1.0 V at 20°C
Standard Charge :	700 mA for 15 hrs at 20°C
Fast Charge :	2800 mA (0.4C) with charge termination control Recommended control parameters - ΔV :10 mV & $\Delta T/\Delta t$:0.8~1°C/min Timer: 140 % nominal input
Service Life :	> 500 cycles
Continuous Overcharge :	700 mA maximum permissible current No conspicuous deformation and / or leakage
Weight :	218 g
Internal Resistance :	Max 20 m Ω at 1000 Hz measured within 1 hour after standard charge
Max. Charging Voltage :	1.5 V at 700 mA charging
Ambient Temperature Range	Standard Charge : 0°C to 45°C Fast Charge : 10°C to 45°C Discharge : -20°C to 45°C Storage : -20°C to 45°C

Characteristics

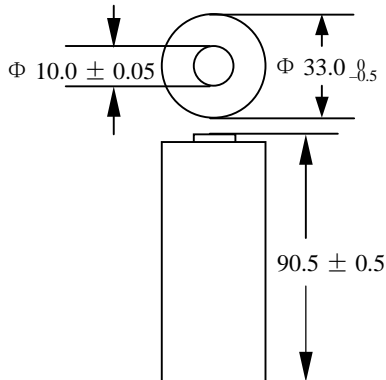
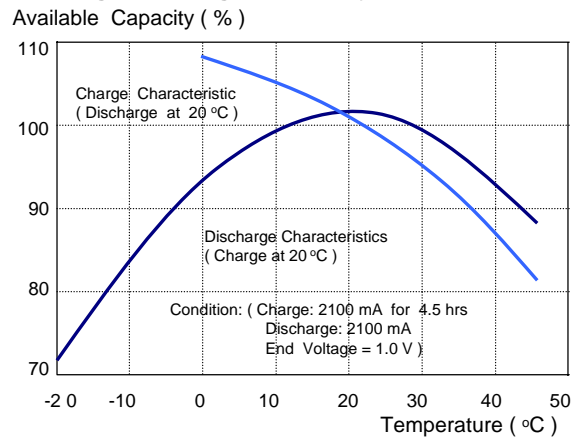
Charge Curves (20 °C)



Discharge Curves (20 °C)



Charge/Discharge Efficiency vs. Temperature



American Toppower

Add: 2033 Route 130, Unit N, Monmouth Junction, NJ 08852.

Tel: 732-821-1000 Fax: 732-821-2000